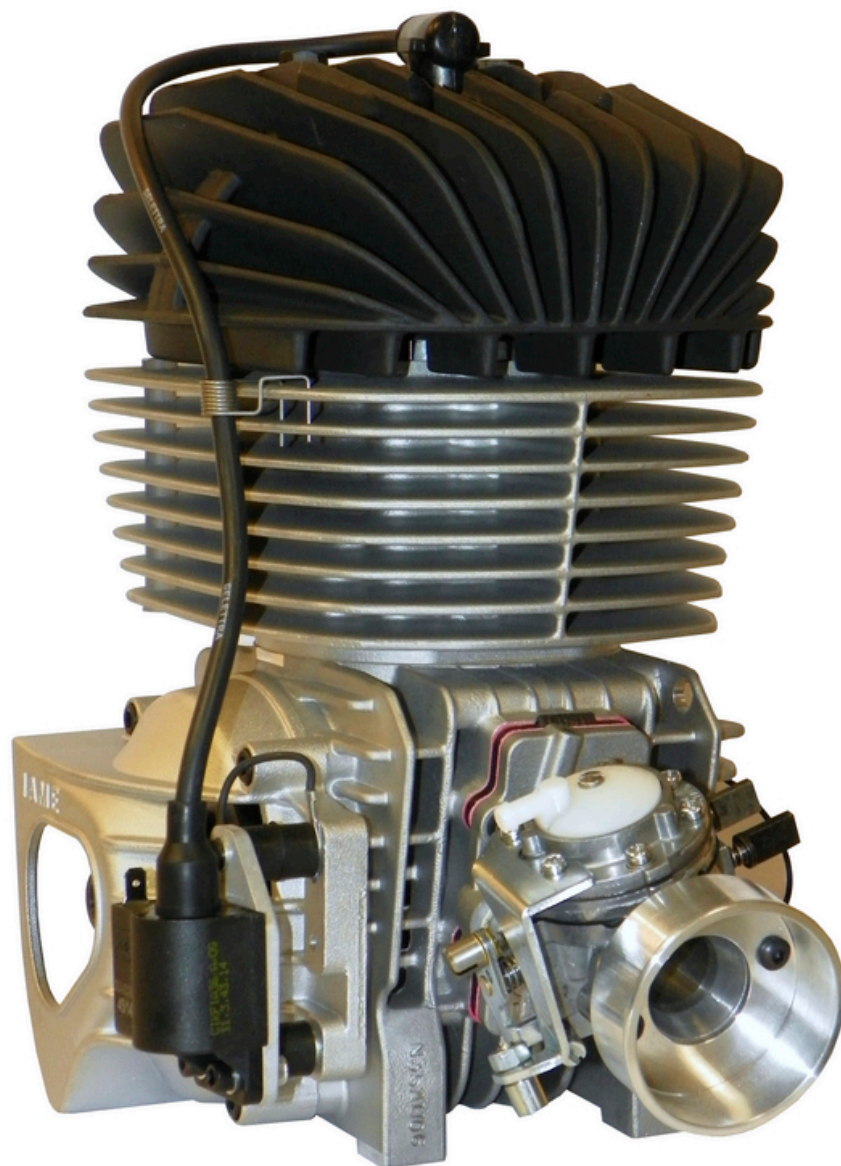


IAME

The heart of kart

IAME - REEDJET KA100



パーツ価格表 2024 (株)コジマブレーンファクトリー

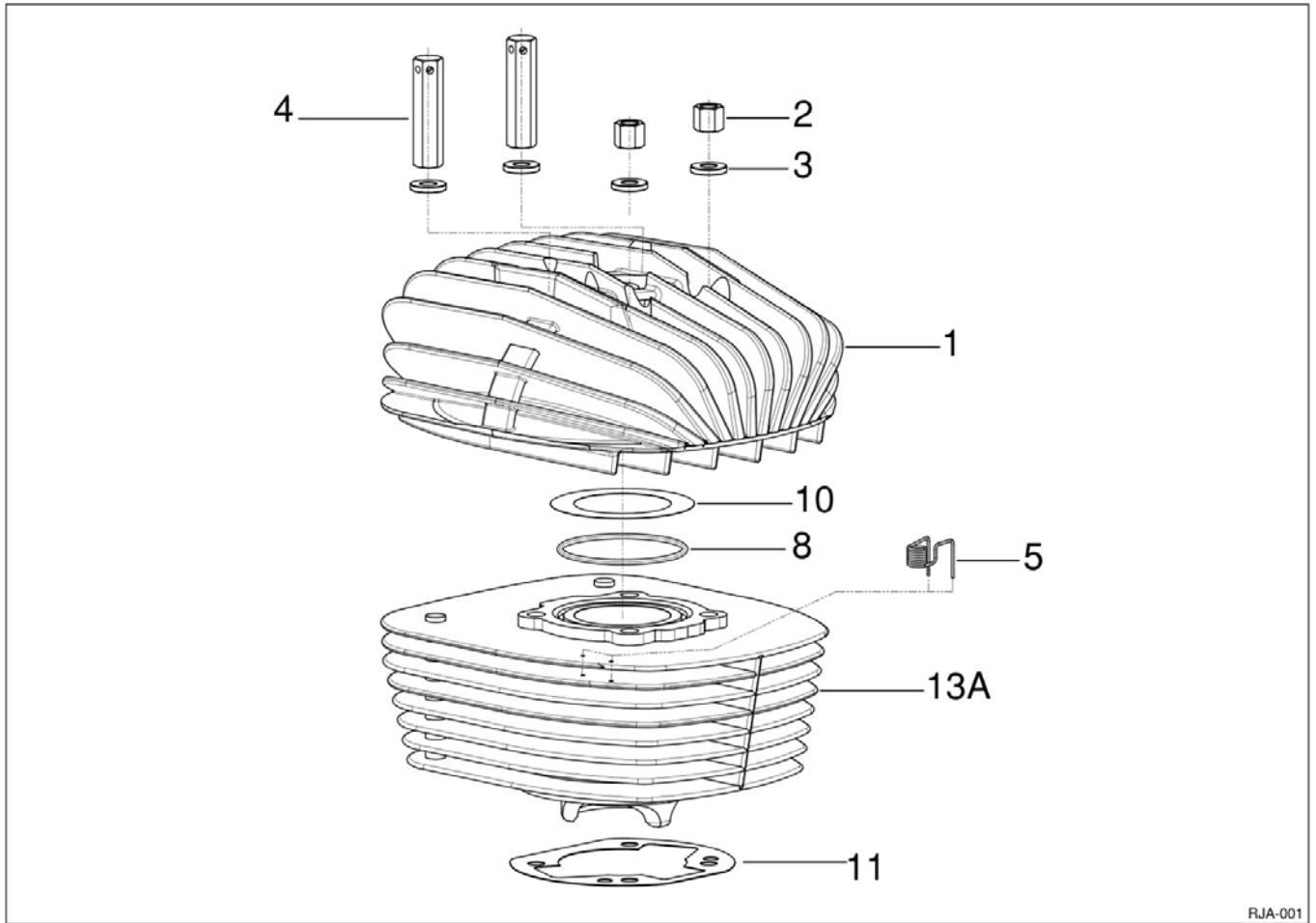
336-0923 埼玉県さいたま市緑区大間木1666-1

TEL048-874-8041 FAX048-874-8063

<http://www.kojima-bf.co.jp/>

商品の仕様・価格は予告なく変更する場合がございますのでご了承願います。

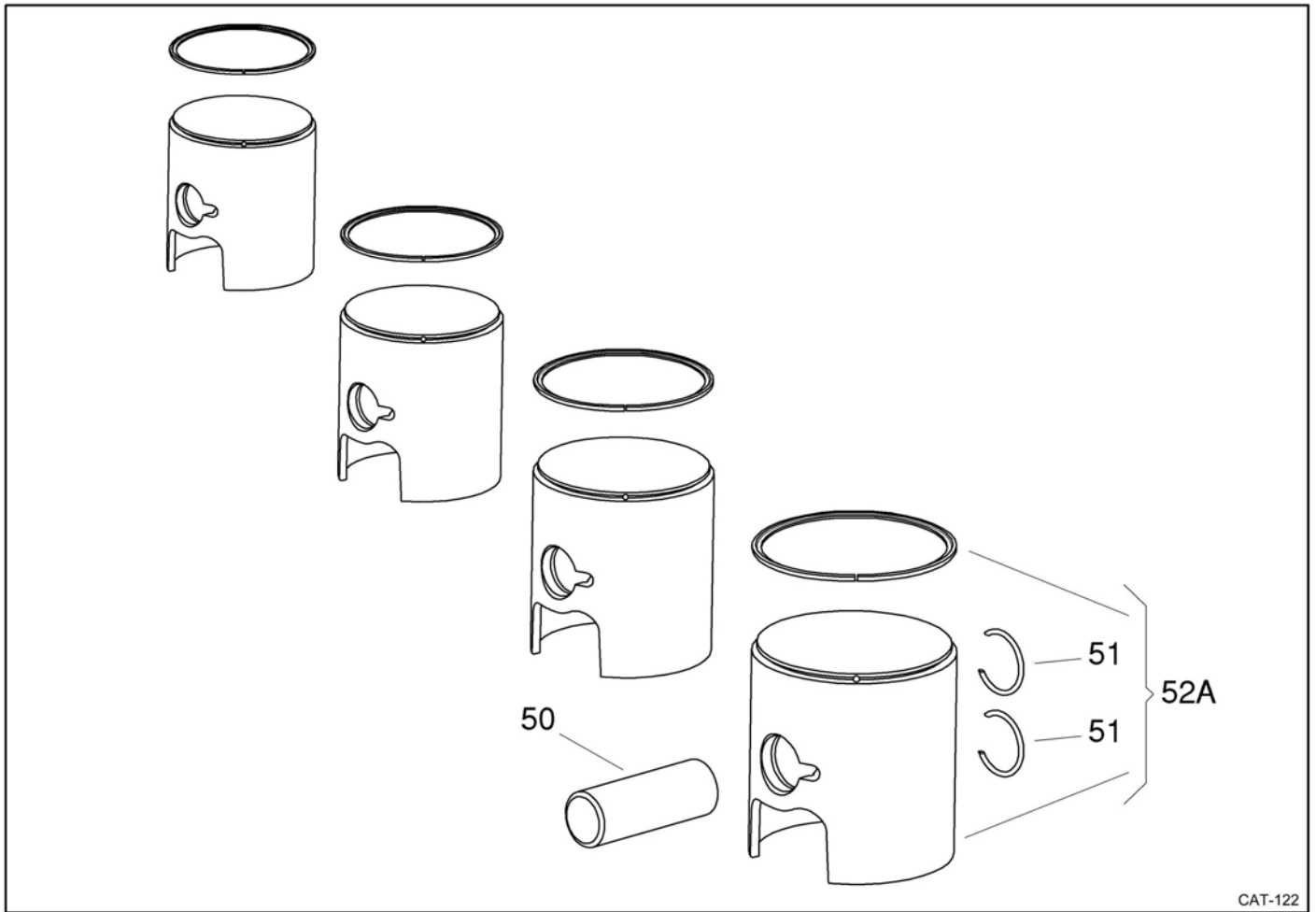
HEAD AND CYLINDER



RICAMBI / SPARES

POS	COD	DESCR	PRICE(税別)
001	IAA-40100/2	CYLINDER HEAD REEDJET	¥43,300
001	IAA-40100J	CYLINDER HEAD REEDJET JPN	¥販売終了
002	10350	HEAD NUT	¥390
003	10635	HEAD NUT WASHER H=3mm	¥190
004	10351	NUT 8mm LONG / SEALING HOLE	¥1,680
005	10787	SPRING, SPARK PLUG GUIDE CABLE	¥900
008	D-37049	INT. HEAD OR	¥900
010	IAA-40200-0.05	COPPER HEAD GASKET 0.05	¥320
010	IAA-40200-0.10	COPPER HEAD GASKET 0.10	¥320
010	IAA-40200-0.15	COPPER HEAD GASKET 0.15	¥320
011	EBP-125045	CYL. GASKET 4/10 SUD-TOP/X30	¥390
011	EBP-125046	CYL. GASKET 2/10 SUD-TOP/X30	¥390
011	EBP-125047	CYL. GASKET 1/10 SUD-TOP/X30	¥520
011	EBP-125048	CYL. GASKET 5/100 SUD-TOP/X30	¥520
013A	IAA-01000/1	CYLINDER REEDJET	¥104,200
013A	IAA-01000J	CYLINDER REEDJET JPN	¥販売終了

PISTON

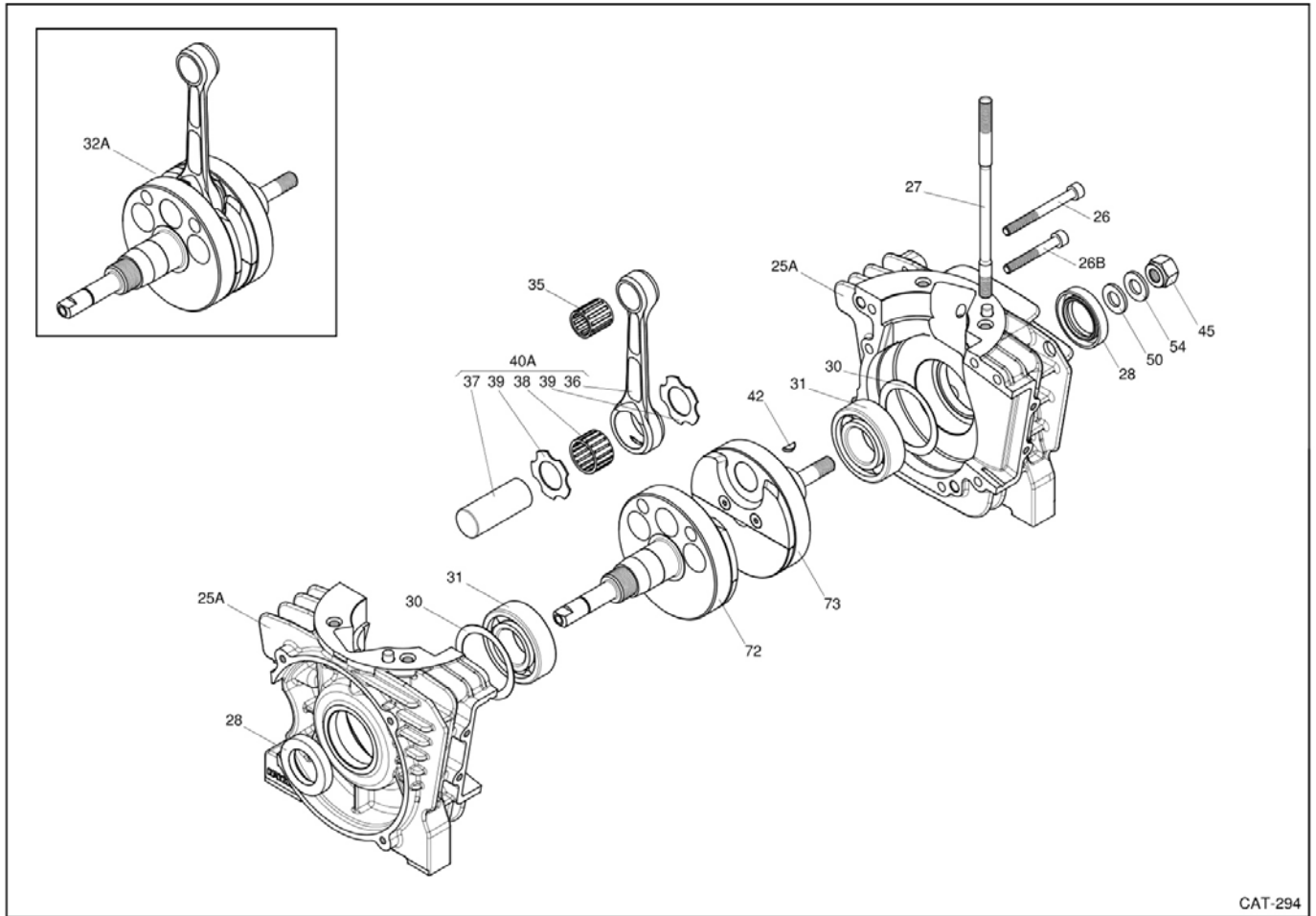


CAT-122

RICAMBI / SPARES

POS	COD	DESCR	PRICE(税別)
050	B-10321-R	PISTON PIN 14x39 1^ SEL.	¥3,400
051	10341-A	CIRCLIP W/OUT TAILS	¥250
052A	EBP-85050-CV	PISTON PUMA-85 48.20g	¥18,900
052A	EBP-85055-CV	PISTON PUMA-85 48.22g	¥18,900
052A	EBP-85057-CV	PISTON PUMA-85 48.24g	¥18,900
052A	EBP-85060-CV	PISTON PUMA-85 48.26g	¥18,900
052A	EBP-85063-CV	PISTON PUMA-85 48.28g	¥18,900
052A	EBP-85065-CV	PISTON PUMA-85 48.30g	¥18,900
052A	EBP-85070-CV	PISTON PUMA-85 48.32g	¥18,900
052A	EBP-85072-CV	PISTON PUMA-85 48.34g	¥18,900
052A	EBP-85075-CV	PISTON PUMA-85 48.36g	¥18,900
052A	EBP-85080-CV	PISTON PUMA-85 48.40g	¥18,900
052A	EBP-85085-CV	PISTON PUMA-85 48.42g	¥18,900
052A	EBP-85087-CV	PISTON PUMA-85 48.44g	¥18,900
052A	EBP-85095-CV	PISTON PUMA-85 48.50g	¥18,900

CRANKCASE & CRANKSHAFT

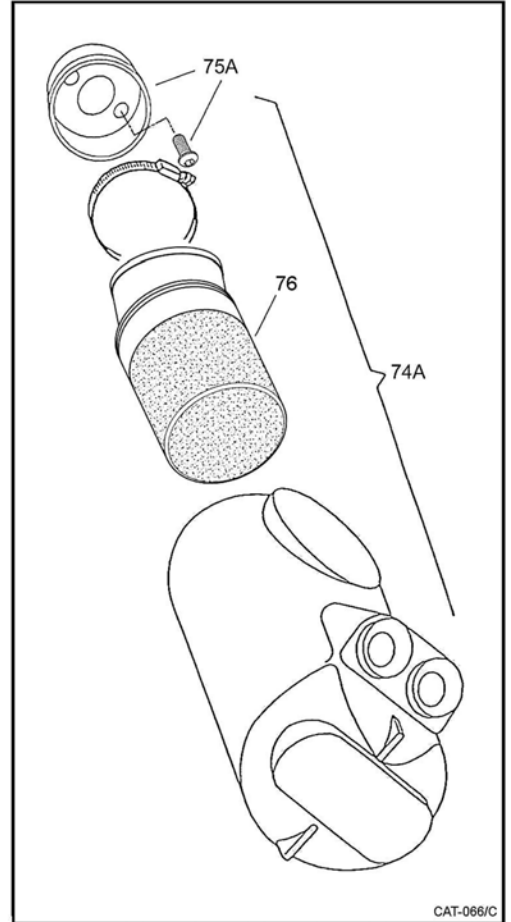
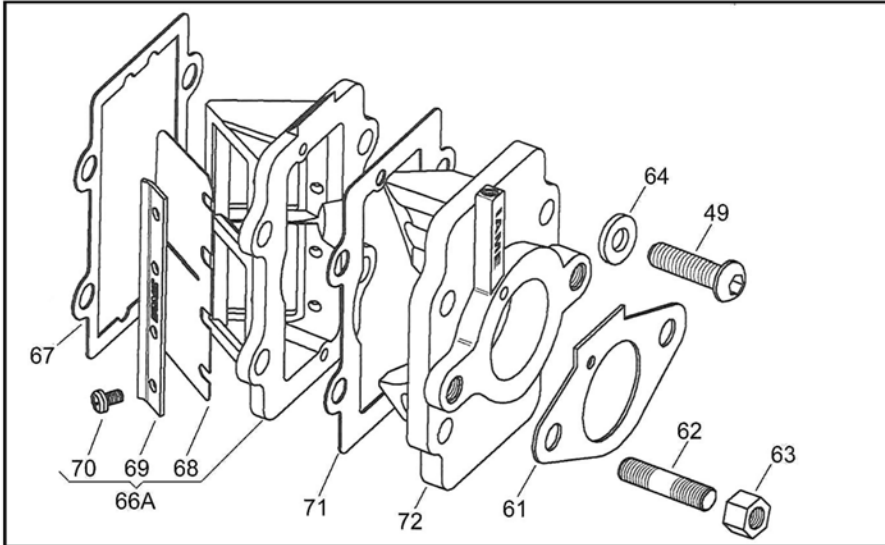


CAT-294

RICAMBI / SPARES

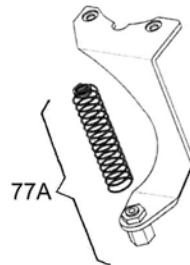
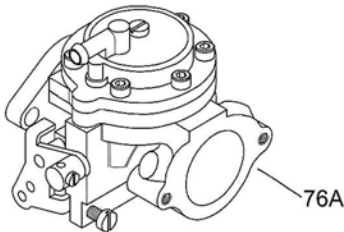
POS	COD	DESCR	PRICE(税別)
025A	IAB-01041/1	CRANKCASE REEDJET	¥115,200
025A	IAB-01041J	CRANKCASE REEDJET JPN	¥販売終了
026	00051-K	ALLEN SCREW 6x55	¥100
026B	00049-K	ALLEN SCREW 6x45	¥65
027	E-38345	CYLINDER TIE-ROD 8x157	¥1,450
028	X30125425A	OIL SEAL MAGN./DRIVE SIDE	¥1,960
030	30404	STEEL SHIM 0.15	¥380
030	30407	STEEL SHIM 0.10	¥380
031	35396-G	BALL BEARING 6205 TNH/C4	¥3,550
032A	IAC-00100	CRANKSHAFT REEDJET KA100	¥132,000
035	E-10440	SMALL END ROLLER CAGE	¥4,500
037	IAC-40140	CRANKPIN 20x47mm REEDJET	¥3,600
038	X30125431	BIG END CAGE	¥11,800
039	X30125437	SILVER BRONZE WASHER TOOLED	¥1,350
040A	ENC50100-47	CON-ROD ASSY 102mm / PIN 47 REEDJET	¥63,800
042	10375	MAGNETO/SPROCKET SHAFT END KEY	¥390
045	00382	NUT M10x1	¥250
050	00305-K	WASHER M10	¥45
054	00342-K	WASHER 10,5x18x0,8	¥40
072	GBP-125386	HALFCRANK.TRANSM.S.SUDAM TaG	¥51,700
073	IAC-30141	HALFCR. IG.S. DRAG/LEOP MY '09	¥39,100

INLET



CAT-066/C

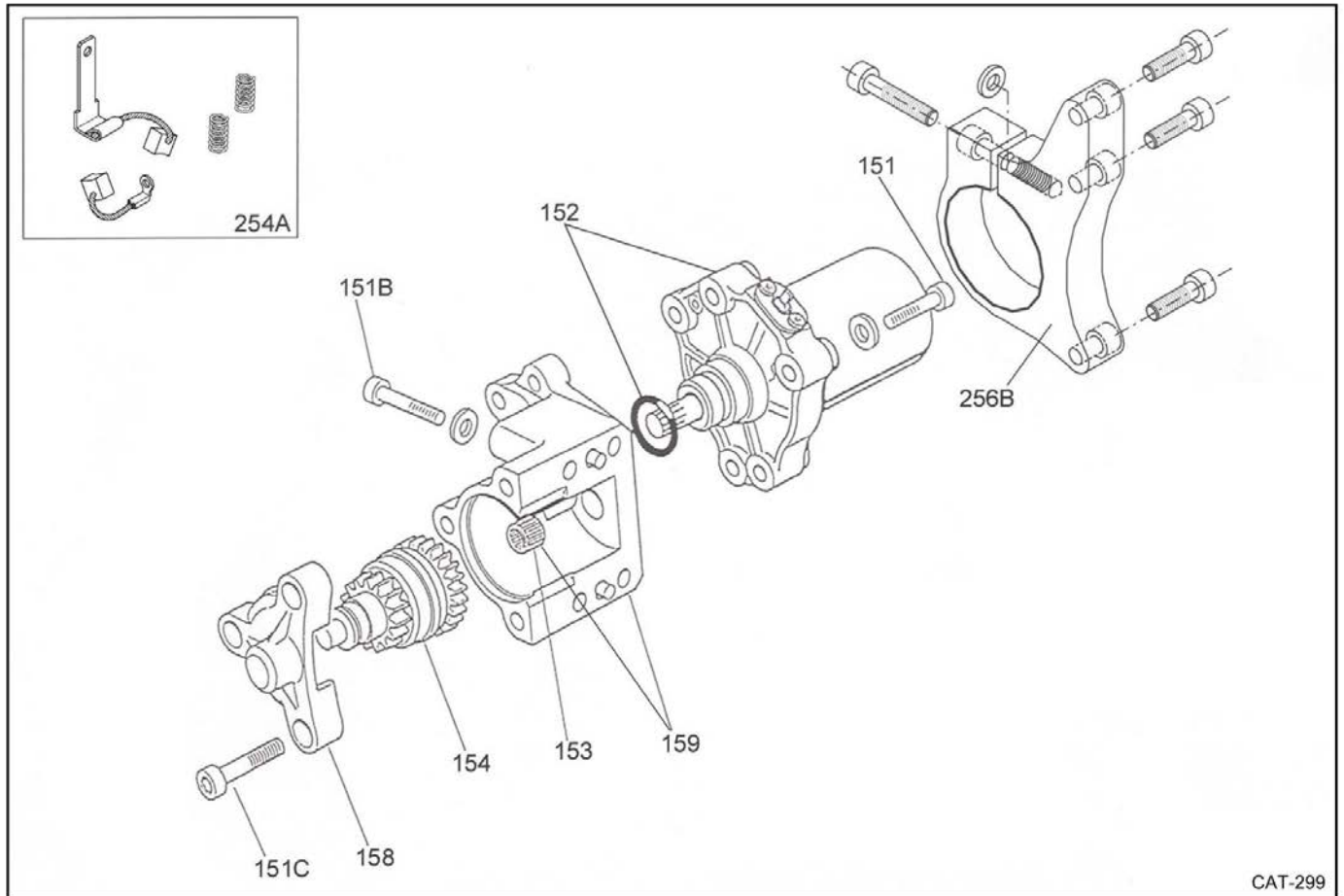
CARB. TILLOTSON



RICAMBI / SPARES

POS	COD	DESCR	PRICE(税別)
049	00045-K	SOCKET H. SCREW M6X25	¥40
061	10360-B	CARBURETOR GASKET	¥390
062	F-40525	FIX.CARB.STUDBOLT 6x30	¥560
063	00351-K	HEXAGONAL NUT M6	¥40
064	00302-K	WASHER M6	¥20
066A	F-11830B-C	REED GROUP CARBON	¥ 17,800
067	X30125810A	REED BLOCK GASKET X30	¥1,200
068	F-11840-C	CARBON REED PETALS KIT	¥ 6,300
069	F-11845A	REED CLIPS	¥ 390
070	10380-K	SCREW 1/2 CR.HEAD 3X5	¥ 200
071	X30125809A	TOP CONVEYOR GASKET X30	¥ 1,200
072	X30125815A	CONVEYOR 28mm X30	¥ 11,800
074A	IAG-90000G	INLET SILENCER SOCOREM + AIR FILTER	¥12,600
076	10751-A	INLET SILENCER FILTER	¥6,900
076A	A-10917	CARBURETTOR TILL. HW33A	¥ 56,500

ELECTRIC STARTER GROUP

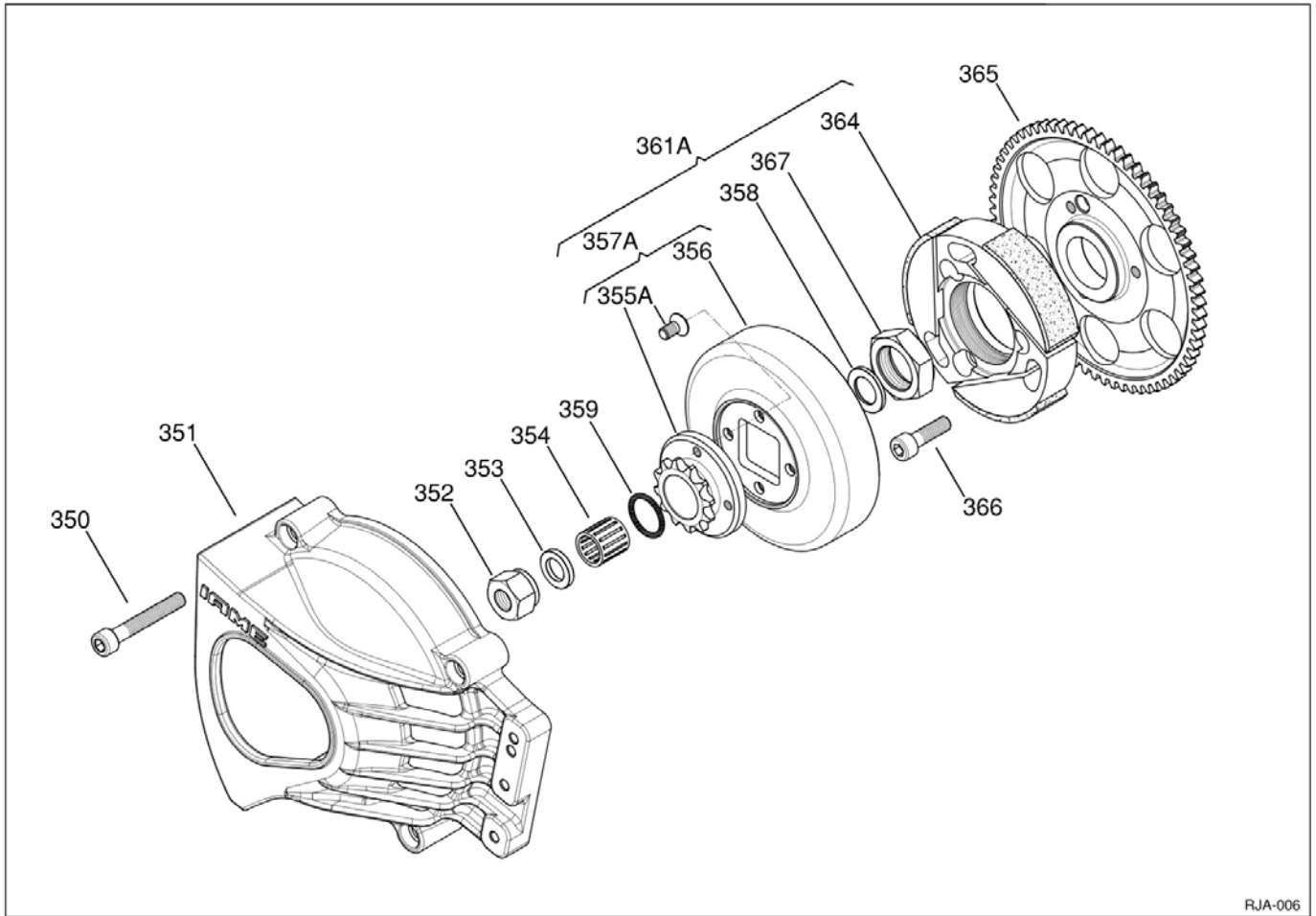


CAT-299

RICAMBI / SPARES

POS	COD	DESCR	PRICE(税別)
151	00047-K	ALLEN SCREW 6x35	¥ 60
151B	00049-K	ALLEN SCREW 6x45	¥ 65
151C	00045-K	SOCKET H. SCREW M6X25	¥ 40
152	A-120851	STARTER MOTOR	¥ 40,800
153	A-60865	ROLLER CAGE TaG	¥ 1,300
154	A-120856	BENDIX	¥ 19,400
158	A-60870	BENDIX SUPPORT	¥ 1,850
159	A-120860-C	COUNTERSH.SUPPORT TaG W/ROLLER	¥ 18,600
254A	A-60852A-C	STARTER BRUSHES KIT	¥ 3,400
256B	A-125863-C	STARTER SUPPL. SUPPORT	¥ 6,800

CLUTCH GROUP

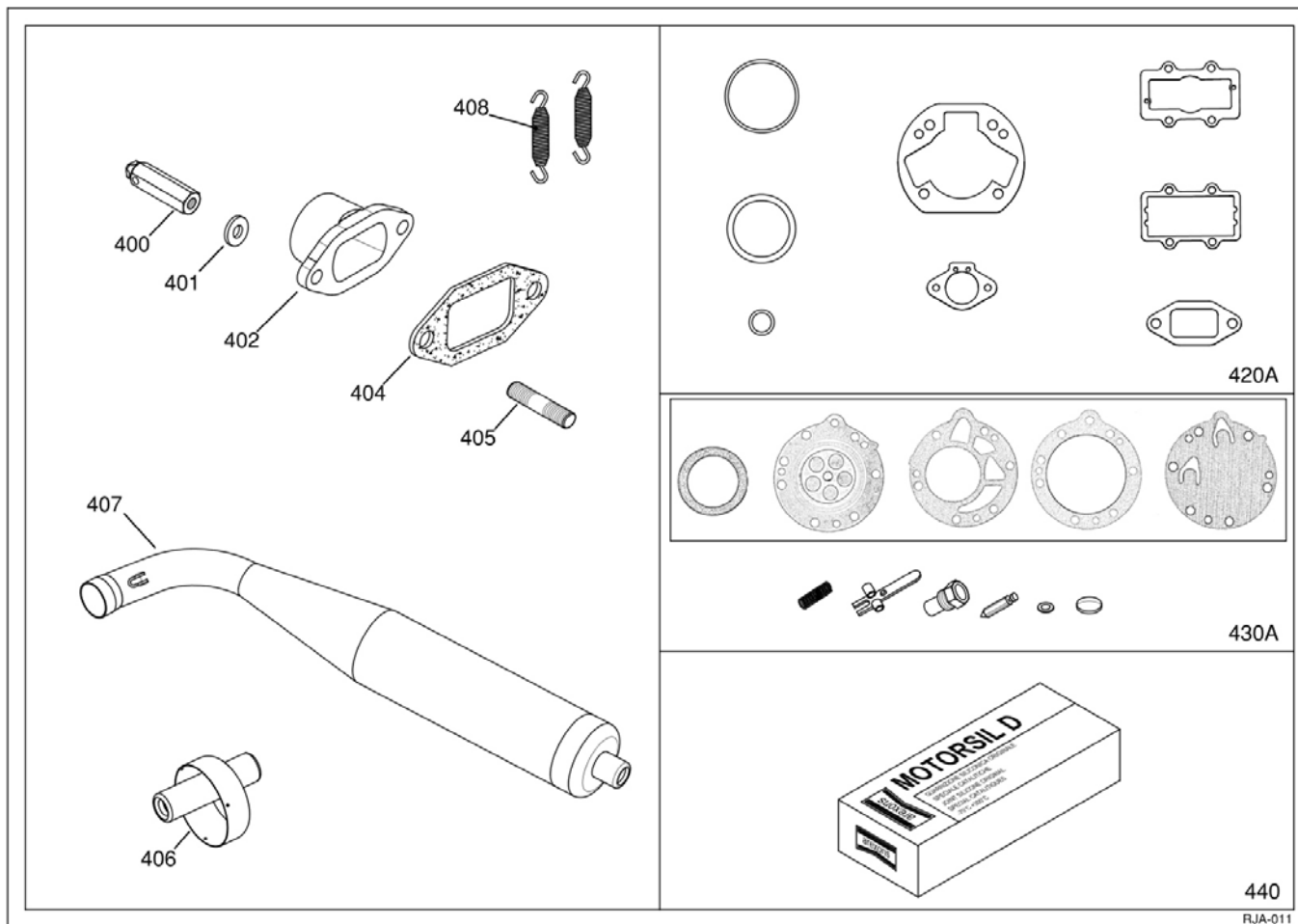


RJA-006

RICAMBI / SPARES

POS	COD	DESCR	PRICE(税別)
350	00046-K	SCREW M6x30	¥ 60
351	A-60595BN	CLUTCH GUARD REEDJET KA100 BLACK	¥ 8,300
352	D-75570	STARTER NUT TaG	¥ 860
353	D-75573	EXTERNAL WASHER	¥ 440
354	B-55598	CLUTCH ROLLER CAGE JUN-CIK	¥ 2,200
354	S1145/3	BUSH FOR Z9 SPROCKET	¥ 990
355A	X30125553-C	SPROCKET Z9 W/SCREWS	¥ 15,400
355A	X30125554-C	SPROCKET Z10 W/SCREWS	¥ 11,200
355A	X30125555-C	SPROCKET Z11 W/SCREWS	¥ 11,200
355A	X30125556-C	SPROCKET Z12 W/SCREWS	¥ 11,200
356	X30125550A	CLUTCH DRUM BLIND	¥ 11,600
357A	X30125550A-C10	CLUTCH DRUM BLIND + SPR Z10	¥ 22,800
357A	X30125550A-C11	CLUTCH DRUM BLIND + SPR Z11	¥ 22,800
357A	X30125550A-C12	CLUTCH DRUM BLIND + SPR Z12	¥ 22,800
358	D-75565	THRUST INT.WASHER H=1,8mm	¥ 620
359	A-60565	CLUTCH DRUM OR	¥ 250
361A	X30125841-C10	CLUTCH GROUP Z10	¥ 58,000
361A	X30125841-C11	CLUTCH GROUP Z11	¥ 58,000
361A	X30125841-C12	CLUTCH GROUP Z12	¥ 58,000
364	X30125841	PADDED HUB X30 '13	¥ 32,700
365	IAI-30000	START.WHEEL REEDJ-AU/LEOP MY09	¥ 18,500
366	00042T-K	SCREW M6X16 TECNIC 150	¥ 90
367	IFF-21300	WHEEL LOCKING NUT	¥ 2,000

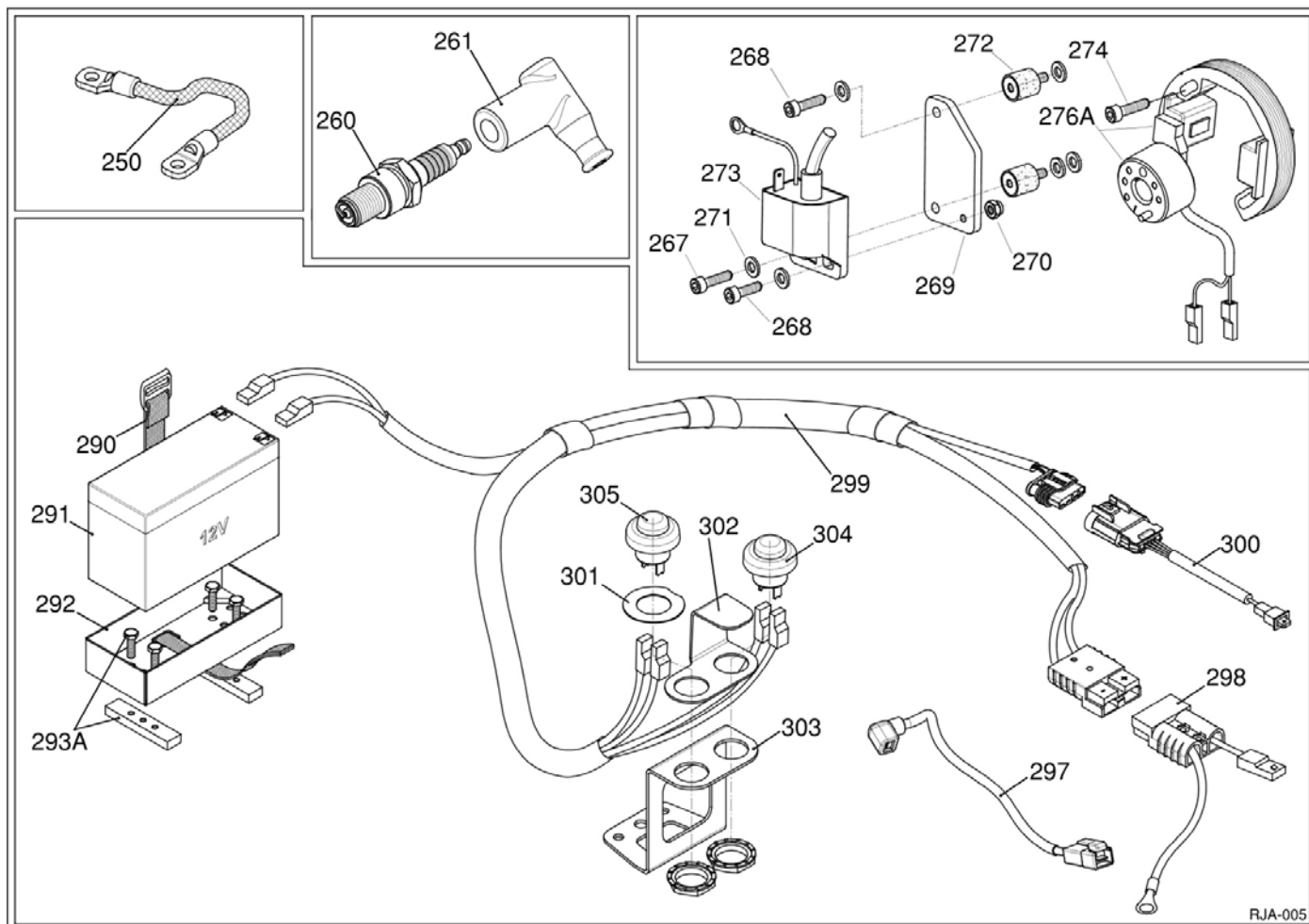
EXHAUST GROUP & GASKETS SET.



RICAMBI / SPARES

POS	COD	DESCR	PRICE(税別)
400	IAA-20300	PIERCED EXHAUST NUT	¥ 920
401	00332-K	ELAST.WASHER M8	¥ 20
402	IAH-02000	EXHAUST MAN. REEDJET KA100	¥ 10,000
402	IAH-02011	EXHAUST MAN. REEDJET KA100 d.22mm	¥ 10,000
403	IAH-02012	EXHAUST MAN. REEDJET KA100 d.19mm	¥ 10,000
404	B-75360	EXHAUST GASKET	¥ 910
405	B-75355	EXHAUST STUDBOLT 8x36	¥ 910
406	IAH-04301	EXHAUST END	¥ 6,400
407	IAH-04000	EXHAUST MUFFLER REEDJET KA100	¥ 44,300
408	IFH-55100	FLEXIBLE SPRING KF1-2 / KZ	¥ 970
420A	IAZ-125992	GASKET SET - REEDJET AUS	¥ 4,250
440	00602	GASKET AREXON	¥ 7,400

ELECTRONIC IGNITION

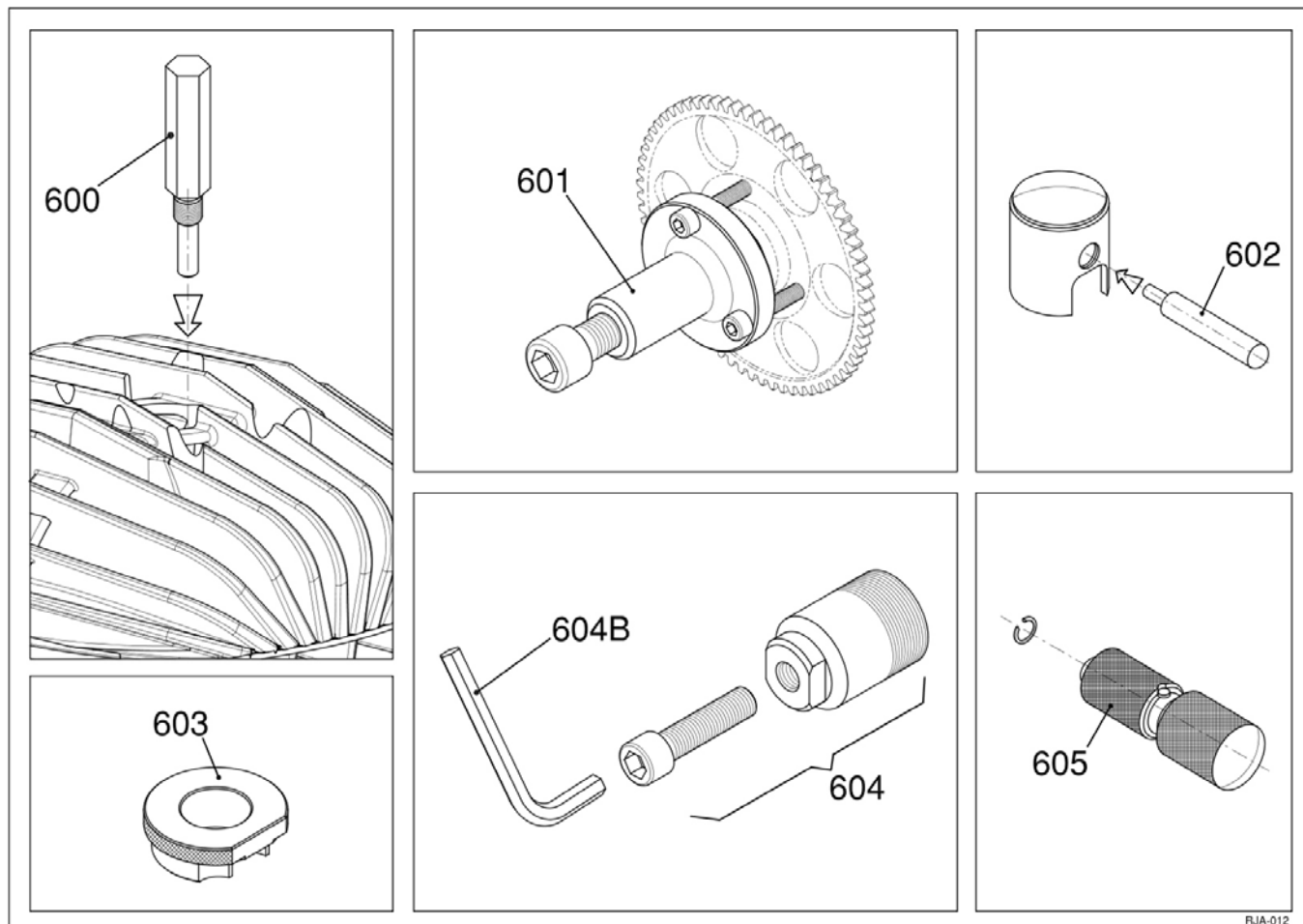


RJA-005

RICAMBI / SPARES

POS	COD	DESCR	PRICE(税別)
260	10561-A	SPARK PLUG NGK BR10EG	¥ 670
261	10544	PVL SPARK PLUG CAP BLACK	¥ 3,200
267	00032-K	SCREW TCCE 5x20	¥ 40
268	00031-K	ALLEN SCREW M5x16	¥ 40
269	A-61510	COIL SUPPORT	¥ 3,480
270	00378-K	SELF LOCKING NUT M6	¥ 40
271	00301-K	WASHER M5	¥ 20
272	A-61520	COIL VIBRATION DAMPING	¥ 1,220
273	A-61955	COIL SELET. MINI 60cc BLACK	¥ 16,800
274	00034-K	ALLEN SCREW 5x25	¥ 40
276A	A-61951A	IGNITION 2 POLES '14	¥ 26,000
290	A-60904A	BATTERY FIXING BELT	¥ 1,850
292	X30125905	BATTERY SUPPORT	¥ 4,500
293A	A-60907A-C	BATTERY SUPPORT CLAMP 30mm W/SCREWS	¥ 4,500
297	IFE-05600	STARTER CABLE	¥ 3,980
298	IFE-05401D	STARTER MOTOR CABLE	¥ 4,300
299	IFE-05004	CABLES HARNESS PVL DIGITAL	¥ 25,500
300	IAE-06100	ADAPTER IGNITION 2 POLES	¥ 1,600
302	IFI-70101	SECURITY BRACKET	¥ 1,700
303	IFI-70001	BUTTONS BRACKET X30	¥ 1,700
304	IFE-05003-PS	START BUTTON	¥ 4,500
305	IFE-05003-PR	STOP BUTTON	¥ 4,500

PULLER & TOOLS

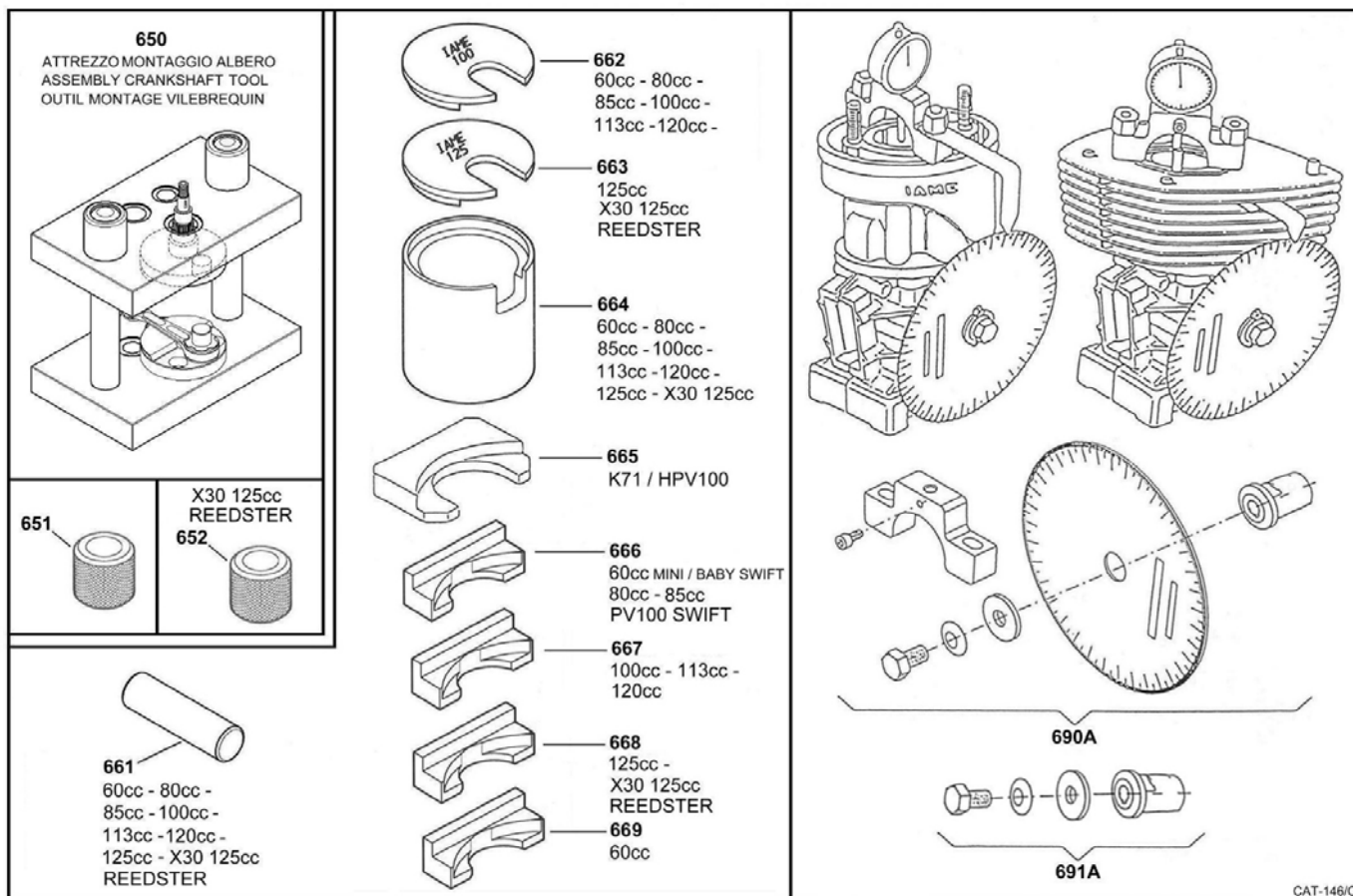


FJA-012

RICAMBI / SPARES

POS	COD	DESCR	PRICE(税別)
600	10271	PISTON STROKE LOCKER	¥ 6,000
601	ATT-039-C	STARTER GEAR PULLER X30 SHIFT.	¥ 14,200
602	10200	PISTON PIN PUNCH 14mm	¥ 2,700
603	ATT-037	S. WHEEL LOCKING TOOL KF/LE/DR	¥ 6,650
604	ATT-026	CLUTCH HUB PULLER d.38	¥ 8,100
604B	10159	CLUTCH HUB PULLER WRENCH 12mm	¥ 2,480
605	10120	CIRCLIP ASSEMBLING TOOL 14mm	¥ 27,400

Cranksh.Ass./Disass. Timing control group



RICAMBI / SPARES

POS	COD	DESCR	PRICE(税別)
650	10110A	CRANKSHAFT ASSY TOOL	¥ 418,000
652	10150A	CRANK-PIN BUSH 20mm	¥ 11,600
661	10107	CRANK-PIN PUSHER	¥ 3,100
663	10104A	CRANKSHAFT PLATE 125cc	¥ 17,800
664	10100	CRANKSH. DISASSY SUPPORT	¥ 32,800
668	10106	CRANKSHAFT INSERT 125cc-SUP	¥ 18,400
690A	10820A	TIMING CHECK DISC TaG/REEDSTER	¥ 26,400
691A	10828-C	TIMING CHECK DISC ADAPTER M10	¥ 9,100